



## Compression

Single Sensor Compression Inspection for leak detection in plastic containers. Available in Standard or Low Profile configuration.

## Leak Detection for Flexible Containers

The TapTone Compression (C) system inspects 100% of your containers at production line speeds. The TapTone Compression system will detect pin-hole leaks in plastic containers and tubes. When combined with optional sensors, this system will also perform fill level inspection, cap inspection and label detection.

### Benefits

- Rapid on-line inspection: up to 1.52 m/sec (300 ft/min) maximum
- Accurate leak detection as small as 0.508 mm (0.020 in). Application and container dependent
- Easy operation & product set-up using a large color touch screen and icon driven menus
- Controlled access to system features with multi-level passwords
- Combined inspections on a single controller: Up to 4 primary inspections (Compression, X-ray, Proximity)
- Reject and sort with 2 independently operated reject outputs
- Meets CE requirements, UL and CUL approved
- Available in a Low Profile format for small containers

### Applications

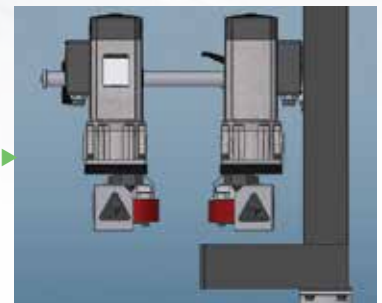
- Leak detection in plastic containers
- Leak detection in tubes
- Leak detection in food/dairy cups

## How It Works

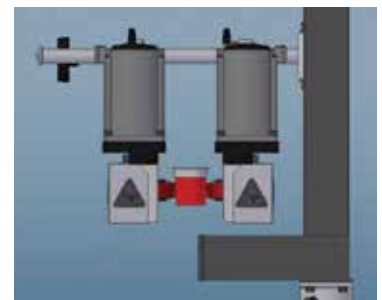
### Compression Technology

Detects leaks in plastic containers. As a container passes through the system, dual parallel belts apply force to the sidewalls of the container. This action compresses the head space of the container, which allows a sensor to take a force measurement at the discharge of the system. Utilizing DSP technology, the controller analyzes the measurement and assigns a merit value to each container. If the merit value is outside of the acceptable range, a reject signal activates a remote reject system.

C Standard Profile ►



CLP Low Profile ►



# SYSTEM SPECIFICATIONS

## General Specifications

### C/CLP

Operating Speed (max)	1.52 m/sec (300 ft/min)
Standard Conveyor Height Range	60.9 cm-111.7 cm (24 in - 44 in)
Optional Conveyor Height (leg extensions)	111.7 cm-157.4 cm (44 in - 62 in)
Belt Opening (maximum)	177.8 mm (7 in)
Digital Outputs	8
Digital Inputs	4
Shaft Encoder	Aluminum or stainless steel
AC Line Voltage (standard)	230 VAC, 1-phase
Alarm Outputs	2 (multi-function configurable)
Reject Outputs	3

## Material & Control Enclosure

Enclosure Environmental Rating	Stainless steel, NEMA-4X, IP65 rated
Transport Deck Materials	Aluminum hard coat
Frame Material Finish	Stainless steel

## Software & Networking Capabilities

- Remote Diagnostics
- Supports Multiple Languages (user interface dependent)
- Stores Multiple Product Set-Ups
- Supports Industrial Ethernet Protocols (EtherNet/IP and Modbus TCP)
- Multi-Level Password Protection



49 Edgerton Drive • North Falmouth, MA 02556 USA

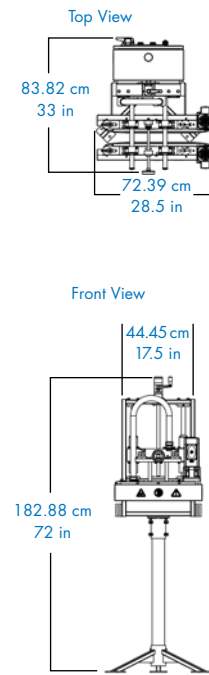
P: +1 508.563.1000

F: +1 508.564.9945

E-Mail: [taptone@teledyne.com](mailto:taptone@teledyne.com)

6/2016. Specifications subject to change without notice.  
TAPTONE is a registered trademark of Teledyne Instruments, Inc. Copyright 2016, TELEDYNE TAPTONE.

## C Sensor



## C | System Options

**Air Pressure Monitoring:** Monitors and displays the air pressure at the rejector. Alarm signal will activate if the air pressure drops below user pre-set limits.

**Cap Inspection:** Inspection sensors for missing, high, or cocked cap detection can be added as an option. Both optical and camera systems are available.

**Down Bottle Inspection:** The Down Bottle Inspection sensors detect bottles that have fallen over on the conveyor and were not inspected.

**Rejectors:** TapTone offers a line of pneumatic ram and standing rejection systems.

**Reject Verification:** Detects a container that has failed the inspection but has not been rejected from the production conveyor.

**TDLC Sensor:** The new TDLC sensor is designed to test foil and plastic film sealed flexible containers with improved sensitivity.

## C | Compatible Systems

- T550

[www.TapTone.com](http://www.TapTone.com)