



## Bringing Pressure Inspection to New Heights

The TapTone Force Stainless (FSB) has all of the features and inspection capabilities of our standard FS system but is designed to accommodate conveyor heights up to 1.96 m (77 in). The system inspects 100% of containers at production line speeds and is manufactured with a stainless steel transport system for harsh environments. Reinforced side plates give extra rigidity for high pressure applications and allow for a stable reading with excellent resolution. The system can alternatively be fit with a mid-range or low range pressure sensor for applications that require all-stainless steel construction.

### Benefits

- Rapid on-line inspection: up to 2.67 m/sec (525 ft/min) maximum
- Easy operation & product set-up using a large color touch screen and icon driven menus
- Controlled access to system features with multi-level passwords
- Combined inspections on a single controller: run up to 4 primary inspections
- Reject and sort with 2 independently operated reject outputs
- Meets CE requirements, UL and CUL approved
- Designed to fit conveyor heights up to 1.96 m (77 in)

### Applications

- Pressure/Leak inspection in carbonated or LN2 dosed beverage cans
- Pressure/Leak inspection in carbonated or LN2 dosed plastic containers
- Pressure/Leak inspection in LN2 dosed retorted dairy based drinks
- Pressure/Leak inspection in aerosol cans with gas propellents
- Pressure inspection in aerosol cans with liquid propellant
- Pressure/Leak inspection in containers with internal pressure up to 11 bar or 160 psi

## Force Stainless

Stainless steel construction and reinforced side plates make the FSB the ideal system for high pressure and high speed applications, where conveyor height is a challenge.

## How It Works

### Force Technology

Detects leaks and low pressure in LN2 dosed containers, carbonated beverage containers and aerosol containers. Parallel belts transport the container past a sensor that measures the tension on the sidewall of the container. This action allows the system to measure the pressure inside the container. Utilizing DSP technology, the controller analyzes the measurement and assigns a merit value to each container. If the merit value is outside of the acceptable range, a reject signal activates a remote reject system and the container is removed from the line.



# SYSTEM SPECIFICATIONS

## General Specifications

	TapTone FSB
Pressure Measurement Range	Up to 11 bar (160 psi)
Operating Speed (max)	2.67 m/sec (525 ft/min)
Conveyor Height Range	91.4 cm-196 cm (36 in-77 in)
Belt Opening (maximum)	15.9 cm (6.25 in)
Digital Outputs	8
Digital Inputs	4
Shaft Encoder	Stainless steel
AC Line Voltage (standard)	230 VAC, 1-phase
AC Line Voltage (option)	460 VAC, 3-phase
Alarm Outputs	2 (multi-function configurable)
Reject Outputs	2

## Material & Control Enclosure

Transport Deck Materials	304 Stainless steel
Frame Material Finish	Stainless steel

## Software & Networking Capabilities

- Remote Diagnostics
- Supports Multiple Languages (user interface dependent)
- Stores Multiple Product Set-Ups
- Supports Industrial Ethernet Protocols (EtherNet/IP and Modbus TCP)
- Multi-Level Password Protection



49 Edgerton Drive • North Falmouth, MA 02556 USA

P: +1 508.563.1000

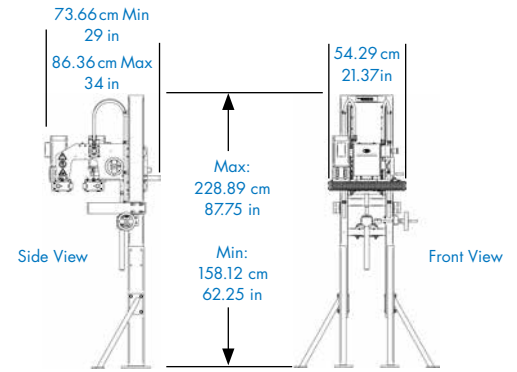
F: +1 508.564.9945

E-Mail: [taptone@teledyne.com](mailto:taptone@teledyne.com)

10/2012. Specifications subject to change without notice.  
TAPTONE is a registered trademark of Teledyne Instruments, Inc. Copyright 2013, TELEDYNE TAPTONE.

## T4000-FSB

### Sensor



## FSB | System Options

**Air Pressure Monitoring:** Monitors and displays the air pressure at the rejector. Alarm signal will activate if the air pressure drops below user pre-set limits.

**Belt Wash:** The belt wash system is designed to clean and dry the compression belts on the T4000.

**Cap Inspection:** Inspection sensors for missing, high, or cocked cap detection. Both optical and camera systems are available.

**Rejectors:** TapTone offers a line of pneumatic ram and standing rejection systems.

**Reject Verification:** Detects a container that has failed the inspection but has not been rejected from the production conveyor.

**Trigger Blow-Off:** Keeps the lens of the photo triggers clean. Suggested for use in harsh environments.

## FSB | Compatible Systems

- T4000 HMI
- PRO Series

The FSB Sensor can also be added to existing systems as an upgrade. Sensor requires TapTone user interface for operation.

[www.TapTone.com](http://www.TapTone.com)