



## T4000

On-line, production speed inspection for leaks, vacuum, pressure, physical defects, and fill level on rigid and flexible containers.

## Advanced Control / Versatile Inspection

The TapTone 4000 is a versatile package inspection system capable of examining containers for leaks, fill level, vacuum and pressure, and physical defects. The system's software gives users greater control over their product set-up and changeover, rejector set-up and alarms, and "last reject" values. The system combines an intuitive user interface, proven technology, and a long-standing record of high reliability, making the TapTone 4000 a cost effective solution for inspection of your plastic, metal, and glass containers. Available in HMI and PC configurations depending on sensor selection.

### Benefits

- Rapid on-line inspection: up to 2,000 containers per minute
- Easy operation & product set-up using a large color touch screen and icon driven menus
- Controlled access to system features with multi-level passwords
- Combined inspections on a single controller: Up to 4 primary inspections (Acoustic, Proximity, X-ray, Force, FS, Compression, DSC)
- Two Independent Reject Outputs for Container Sorting
- Meets CE requirements, UL and CUL approved

### Applications

- Vacuum inspection on metal cans with sanitary or pull tab ends.
- Vacuum inspection on glass jars with lug caps or pop button ends.
- Pressure inspection on carbonated or LN2 dosed beverage cans
- Vacuum/Pressure inspection in plastic containers with plastic closures or composite closures
- Leak inspection on glass beer bottles with metal crowns
- Fill height inspection on glass, metal and plastic containers.
- Cooker protection

## How It Works

### Acoustic Technology

Acoustic technology measures pressure or vacuum in containers with metal closures that do not have a measurable lid deflection. The sensor applies a "tap" to the top of each container lid using an electromagnetic pulse, exciting the closure. The lid vibrates at a natural resonant frequency "tone" based on internal pressure or vacuum. The resultant "tone" signal is sensed by a microphone. The Digital Signal Processor (DSP) produces a real-time signal spectrum and calculates the frequency of the "tone" for that lid which is then compared to user set limits. Containers with a frequency outside these limits are rejected.

### Proximity Technology

Proximity technology measures pressure or vacuum in containers with metal closures by measuring the lid deflection. The sensor produces a continuous magnetic field that monitors the distance between the sensor and the metal lid. The continuous signal is digitally sampled to produce a merit value of the lid profile. The profile value is then compared to user set limits. Containers with lid deflection outside these limits are rejected.

### Fill Level Technology

**Optical Technology:** The Fill\_ir sensor is used to measure fill level of water based products in glass and plastic containers. The sensor utilizes a special emitter/receiver infrared wavelength tuned to the absorption band of water. The beam is powerful enough to pass through most types of plastic and glass containers but will not pass through water based liquids.

**X-ray Technology:** The Fill\_xr sensor is used to measure the fill level in steel, aluminum, glass, plastic and paper containers. An x-ray beam is focused in the expected fill level region of the container. As the x-ray beam penetrates the container, it is attenuated by the amount of product blocking the beam. The attenuation is proportionate to the fill level of the container.

# SYSTEM SPECIFICATIONS

## General Specifications

### TapTone 4000

Operating Speed	2,000 containers/min maximum (Proximity, X-ray, Digital Inputs) 1,500 containers/min maximum (Acoustic)
Digital Outputs	8
Digital Inputs	4
Shaft Encoder	Aluminum
AC Line Voltage	115–230 VAC ± 10%, 50–60 Hz, 1-phase, 300 watts, 15 amp
Reject Outputs	2
Operating Temperature	0° to 50°C (32° to 122°F)
Humidity	0 to 90%, non-condensing
Altitude	Sea level to 3,035m (10,000 feet)
Reject Signals	24 VDC, 1 amp, variable pulse width and time delay

## Material & Control Enclosure

Enclosure Environmental Rating	Stainless steel, NEMA 4X, IP65 rated
Wash Down	Low-pressure water
Touch Screen Display	HMI or PC

## Software & Networking Capabilities

Remote Diagnostics
Supports Multiple Languages
Stores Multiple Product Set-Ups
Supports Industrial Ethernet Protocols (EtherNet/IP and Modbus TCP)
Multi-Level Password Protection



49 Edgerton Drive • North Falmouth, MA 02556 USA

P: +1 508.563.1000

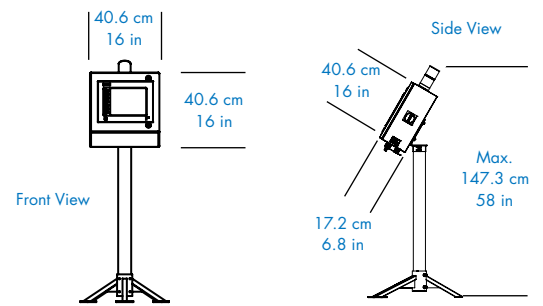
F: +1 508.564.9945

E-Mail: [taptone@teledyne.com](mailto:taptone@teledyne.com)

10/2014. Specifications subject to change without notice.  
TAPTONE is a registered trademark of Teledyne Instruments, Inc. Copyright 2014, TELEDYNE TAPTONE.

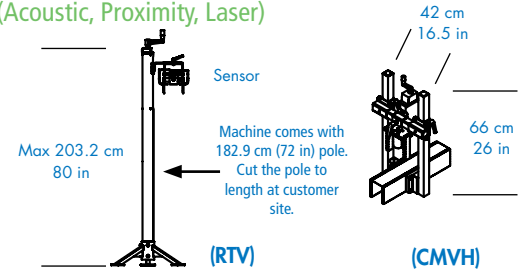
## T4000

### User Interface



### Optional sensor mountings

(Acoustic, Proximity, Laser)



## T4000 | System Options

**Acoustic Test Bottle:** The test bottle provides a predetermined acoustic signal to benchmark the machine's performance. Designed for steel crown and ROPP closure applications.

**Cap Inspection:** Inspection sensors for missing, high, or cocked cap detection. Both optical and camera systems are available.

**Laser Technology:** Laser technology is used to measure pressure or vacuum in plastic, rubber, foil, and paper containers by measuring the lid deflection.

**Proximity Test Can:** The proximity test can provides a repeatable curvature for gauging the performance of the proximity sensor. Designed for beverage can applications.

**Rejectors:** TapTone offers a line of pneumatic ram and standing rejection systems.

**Reject Verification:** Detects a container that has failed the inspection but has not been rejected from the production conveyor.

[www.TapTone.com](http://www.TapTone.com)